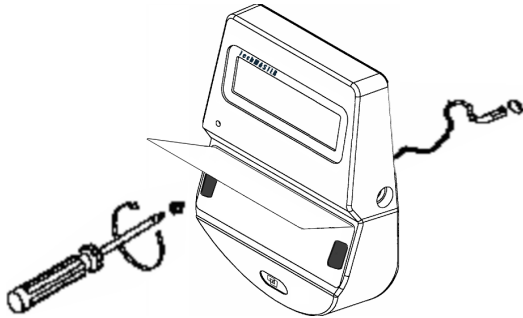


# Keypads with display

## **STATIONARY MOUNTING**

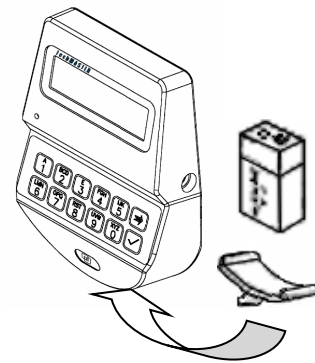


Remove the protective film from the membrane, carefully align the margins and stick it to the housing.

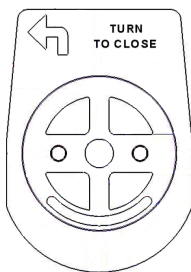
Connect one (1) battery to the battery clip. Only use 9V-ALKALINE batteries from brand name manufacturers like DURACELL™.

Route the cable through the cable hole.

Affix the two mounting screws.



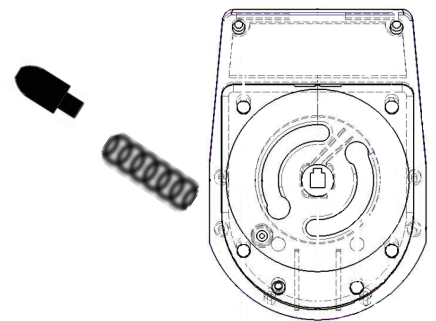
## **TOURNABLE MOUNTING**



Affix the bearing plate with the two mounting adapters (M4).

Insert the spring and the pin into the hole on the back cover.

Cut the grooved shaft to the appropriate length.



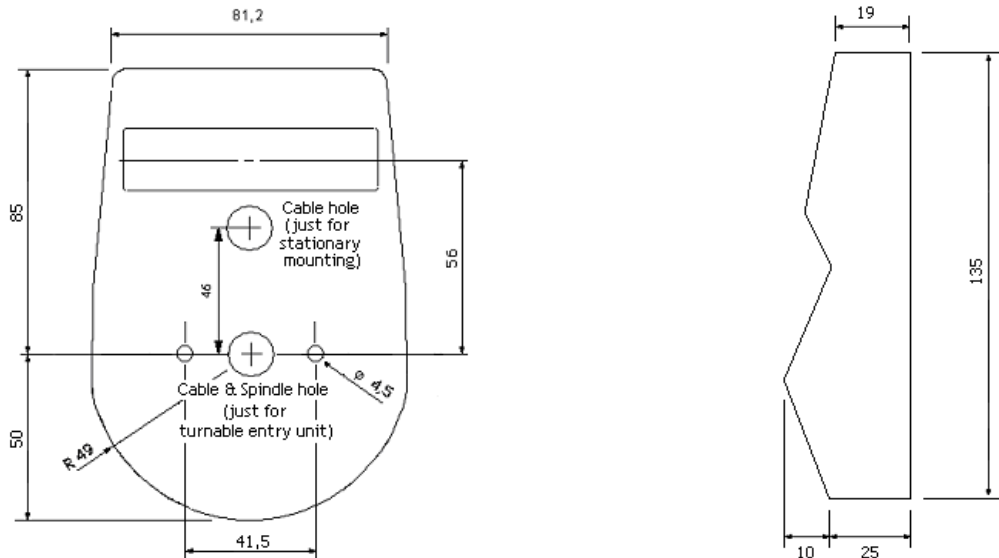
Insert the grooved shaft, with the cut-off edge first, all the way into the entry housing. Push the cable into the groove until flat over the entire length of the shaft. Route the cable and shaft through the spindle hole of the door, hold the unit at an approximately 10:00 o'clock position, and slide it on the mounting adapters. Turn unit clockwise until it clicks into straight position at 12:00.

Tie cables away from moving parts.

Remove the protective film from the membrane, carefully align the margins and stick it to the housing.

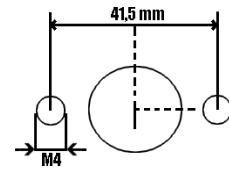
Connect one (1) battery to the battery clip. Only use 9V-ALKALINE batteries from brand name manufacturers like DURACELL™.

## **KEYPAD DIMENSIONS AND GENERAL INFORMATION**



With mounting plate add 3mm to thickness; with turnable plate add 9,7mm.  
The diameter of the hole cable should be minimum 9mm, maximum 12mm.

Prepare mounting and cable holes as indicated in the picture.  
The hole must be deburred well to avoid damage to the cable.

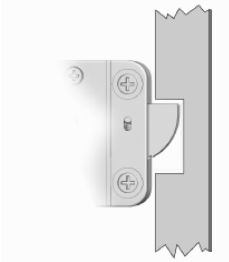


Once the keypad has been mounted no more welding can be done on the safe.

## **IMPORTANT LOCK NOTES**

- Max load on the bolt should not exceed 1KN.
- An air space on all sides of the lock bolt is requested when the safe's boltwork is fully thrown into locked position. Locks can be mounted in all four directions (RH, LH, VU, VD).
- Only use TECNOSICUREZZA supplied screws (M6 with depth min. 6mm, or a comparable inch thread) to mount the lock. Tighten the screws securely so the lock body is attached firmly to the mounting surface (Torque approximately 3,5 Nm).
- Use of screw locking glue (i.e. Loctite) is recommended.
- Modifications to the lock (including lock bolt attachments) are not allowed, and will void the manufacturer's warranty and standards approval.
- Any component fixed to the bolt must be approved before the installation.
- No through holes on the safe door are allowed within the lock body area.
- Lock body area should be protected against destructive attacks.
- Lock has to be mounted on secure storage metal (preferred steel) units only.
- Security relevant parts of a HSL should not be accessible to unauthorized persons when the door of the secure storage unit to which it is fitted is open.
- Entry unit cable hole on the safe door does not have to exceed 11 mm diameter.
- Insert the connector of the entry unit and check that it is completely seated. To remove the connector, carefully lift it and pull it out.
- In the entry unit or battery box connect a 9V-ALKALINE-battery. A series of signals during opening indicates that the battery is weak and must be replaced.
- Tie cables away from moving parts.

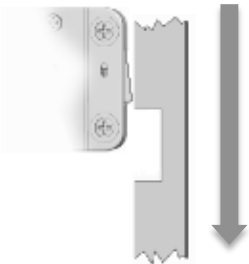
## **ROTOBOLT LOCK**



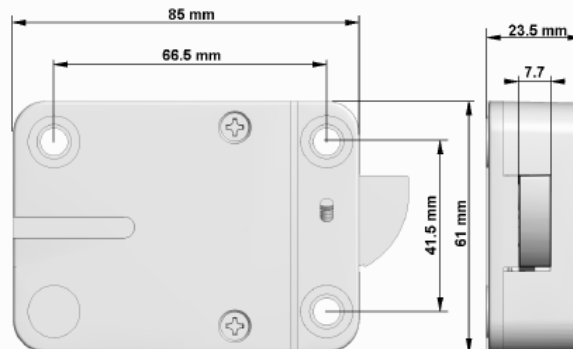
If the RotoBolt lock is used in conjunction with another lock, the boltwork must be constructed in a way that the RotoBolt secures first.

In the LOCKED position the distance between the RotoBolt bolt and the Rotobolt part that is moving the lock bolt should be approximately 1 mm. Bolt must move freely.

The force which can be exerted at least for 10.000 cycles is 2.5N



## **ROTOBOLT DIMENSIONS**

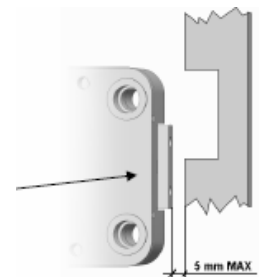


## **STRAIGHTBOLT LOCK**



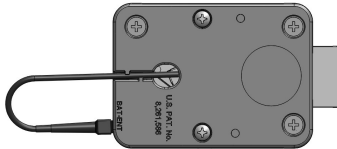
In the LOCKED position, there should be approximately 1mm clearance between the lock bolt and the cavity in the blocking bar of the boltwork. The lock bolt must move freely into the cavity.

In OPEN position, there should be minimum 3mm and maximum 5mm clearance between the lock bolt and the blocking bar of the boltwork.



## Installation instructions

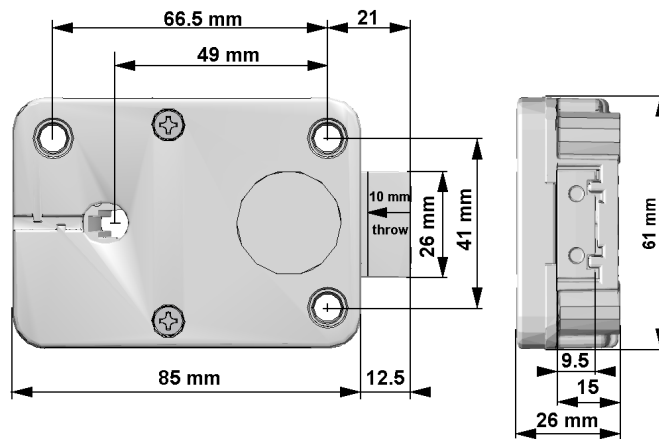
The grooved shaft must extend between 10 and 15 mm off the mounting surface. Make sure the cable is in the groove. Insert the cable connector into the square hole in the bottom of the lock and guide it through the hole in the lock cover. Holding the cable straight place the lock with the square cavity on the grooved shaft and then screw it to the mounting surface.



Insert the connector of the entry unit in the outer position. Check that the connector is completely seated. (To remove the connector, lift it up and carefully pull it out.)

To tie the cable, push it into the square groove in the lock cover.

### **STRAIGHTBOLT DIMENSIONS**

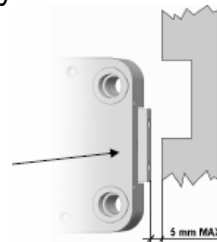


### **MOTORLOCK**



In the LOCKED position, there should be approximately 1 mm clearance between the lock bolt and the cavity in the blocking bar of the boltwork. The lock bolt must move freely into the cavity.

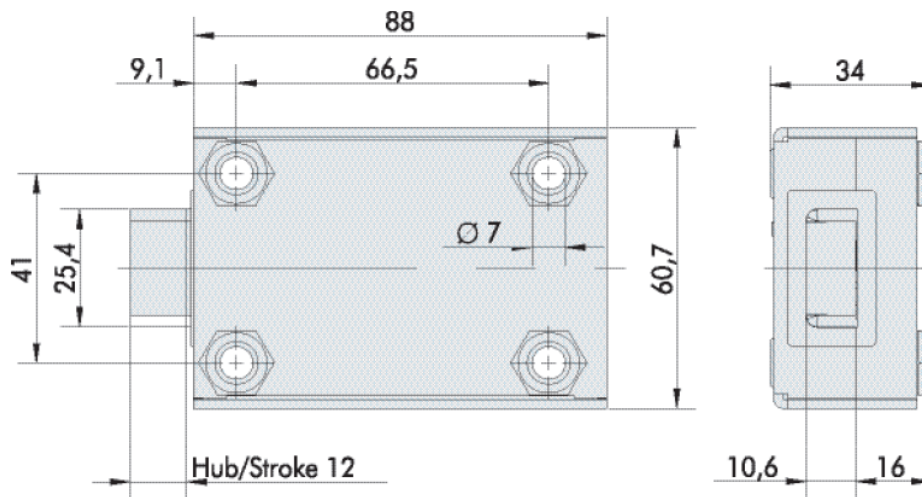
In OPEN position, there should be minimum 3mm and maximum 5 mm clearance between the lock bolt and the blocking bar of the boltwork.



The electronic lock is maintenance free in normal domestic and office surroundings. After approx. 10,000 closures it is recommended to carry out a security and functional test of the electronic lock.

### **MOTORLOCK DIMENSIONS**

## Installation instructions



Insert the keypad cable into the PORT 1 of the lock. Check that the cable is completely seated (to remove it lift it up and carefully pull it out).

Battery box or alarm interfaces will be connected to the PORT 2 of the lock.

Tie cables away from moving parts.

Connect a 9V-ALKALINE battery and repeat functional test (with door open) several times before locking the safe door.

### **FUNCTIONAL TEST**

Insert the keypad cable into the “ENT” connector of the lock. Check that the cable is completely seated (to remove it lift it up and carefully pull it out).

Battery box or alarm interfaces will be connected to the “BAT” connector of the lock.

Connect a 9V-ALKALINE battery and repeat functional test (with door open) several times before locking the safe door.

Press and hold the button 5 until two beeps (the LED will remain lit).

Type slowly all the key sequence as below:

[1]-[2]-[3]-[4]-[5]-[6]-[7]-[8]-[9]-[0]

A double beep after pressing each button indicates that the keyboard is communicating correctly with the lock.

One long beep indicates a problem with the electronic type (in this case contact the technical assistance).

### **MECHANICAL FUNCTIONING FOR ROTOBOLT AND STRAGHTBOLT**

Always perform these operations with door open.

Enter code (1,2,3,4,5,6). The lock emits a double signal for the correct code.

If RotoBolt lock turn boltwork handle toward open position. The bolt rotates into the housing. Bolt must move freely.

If StraightBolt lock turn the entry unit clockwise until stop. Lock bolt must move freely.

## Installation instructions

Boltwork/door can be opened.

Move boltwork into Locked Position. Lock bolt must fully extend and secure.

**IMPORTANT: Perform the functional test several times before locking the safe door.**

### **MECHANICAL FUNCTIONING FOR MOTORLOCK**

Always perform these operations with door open.

Enter code (1,2,3,4,5,6). The lock emits a double signal for the correct code.

The bolt retracts in OPEN position and movements of the safe can now be unlocked.

After 7 seconds, the motor automatically resets the lock bolt in position CLOSED (models "/C" require to press any button to reset the lock bolt in closed position).

If the movements of the safe are in the open position the bolt returns to the closed position, thanks to the action of the internal spring, as soon as the bolts of the half strong will be handled.

Turn handle towards LOCKED position.

The bolt has to come out completely and ensure CLOSE.

**IMPORTANT: Perform the functional test several times before locking the safe door.**

**Failure to follow these installation instructions or open the lock by anyone not authorized by Tecnosicurezza will void the warranty.**

**Never remove lock cover, this voids the warranty.**





**TECNOSICUREZZA s.r.l.**

Via Cesare Battisti, 276 - 37057 S. Giovanni Lupatoto (VR) - Italy  
Tel. +39 045 826 64 70 - Fax +39 045 826 64 69  
info@tecnosicurezza.it - www.tecnosicurezza.it